

InStreamer



• Release date	September 2024
• Article No.	500032
• EAN No.	4260393850606
• Customs tariff No.	85198100
• Product URL	https://www.trivum.com/en/Products/InStreamerV2
• Description	The trivum InStreamer distributes audio sources within the local network.



Technical details

- Operating temperature: 0°C to 50°C
- Operating voltage: 5V at USB-C port
- Power consumption: 50mA
- Line input: 2V_{RMS} for full scale
- S/PDIF input: 32kHz – 192kHz with 16- or 20 Bits
- Ethernet connection 100MBit/s

Connections

- 1x 3.5mm jack
- 1x S/PDIF port (“TOSLINK”)
- 1x USB-C port
- 1x RJ45 network port

Casing

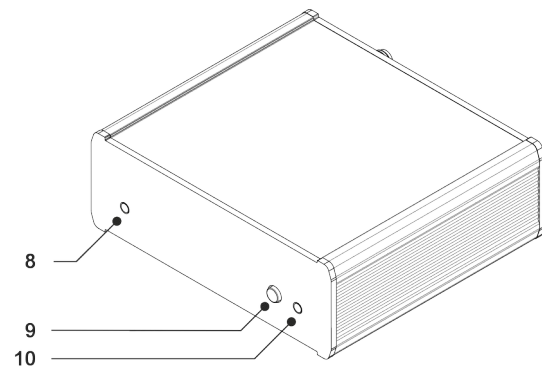
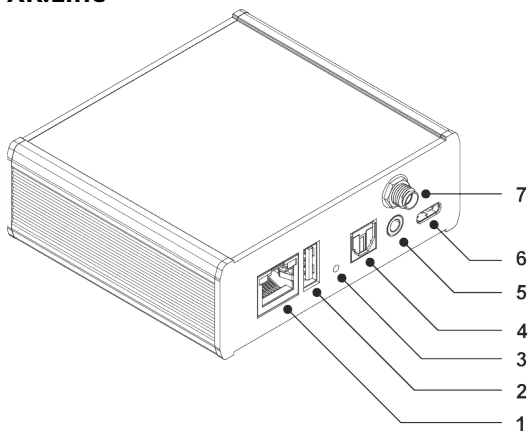
- Weight: 0.116 kg
- Dimensions: 95 x 55 x 32mm (BxLxH)

Scope of delivery

- 1x InStreamer
- 1x WLAN/Bluetooth antenna
- 1x Quick Start Guide

The specifications mentioned here are subject to change without prior notice.

XR:Line



- 1. Network connection
- 2. USB storage connection
- 3. Reset button
- 4. TOSLINK input
- 5. Line input
- 6. USB-C power supply
- 7. SMA connector for 2.4 GHz antenna

- 8. Device status LED
- 9. Bluetooth pairing
- 10. Source status LED