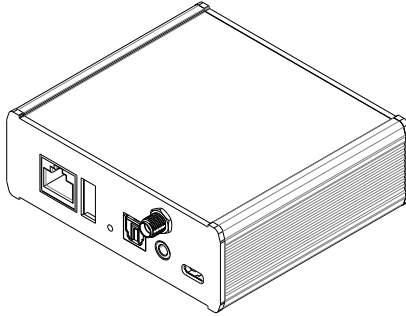


Quick Installation Guide



Technical Data

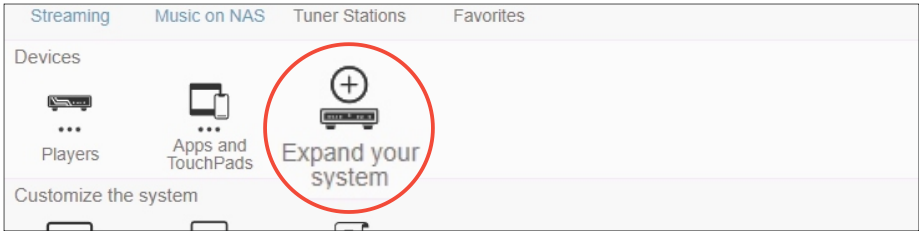
Sources	1x Line-in (3.5mm jack) 1x S/PDIF Optical USB A socket for flash drive Bluetooth Audio
Network connections	Ethernet WLAN (2.4GHz)
Power supply	5V/1A USB-C (not included)
Weight	0.17 kg (net)

1. Connection

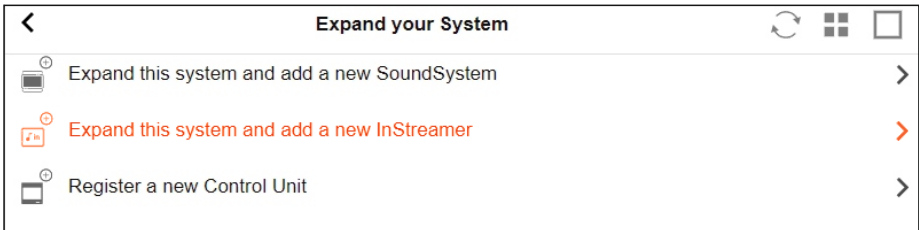
Connect power supply and ethernet network.

2. Configuration

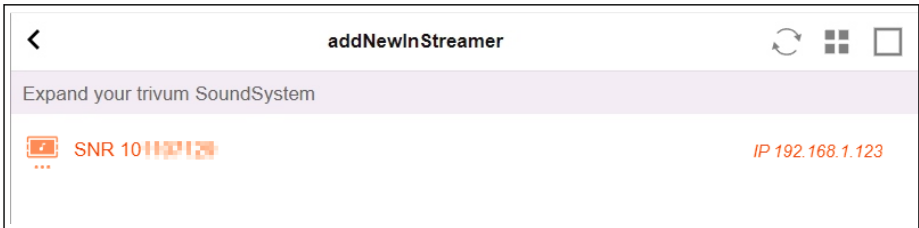
1. Navigate to the web configuration of your trivum sound system and select „Expand your system“.



2. Select „Expand this system and add a new InStreamer

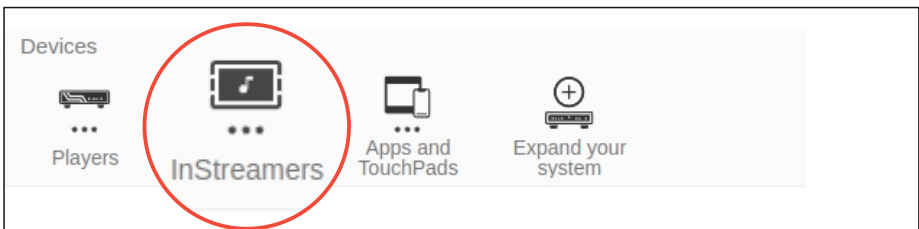


3. Select InStreamer from list



2. Configure InStreamer

1. Navigate to the main screen
2. Select „InStreamers“



3. Select the Instreamer to configure

Actions

+
Add InStreamers

List of all used InStreamers

InStr #11081 (InStreamers with SNR 1011001.25) Connected

IP 192.168.1.123 V2.02 HW 2

4. On the following screen, you can change the device name, update its firmware and adjust the input level

< **Setup InStreamers**

InStreamers setup

Serialnumber **1011001.25**

Hardware version **2**

Software version **V2.02**

Update Firmware to V2.03 No Yes

Information *Please wait a minute after starting an update.*

Current IP address **192.168.1.123**

Description **InStr #11081**

Show as action If selected, all TouchPads and WebVisus show this instreamer as an action. You can also define a specific zone/controlunit action.

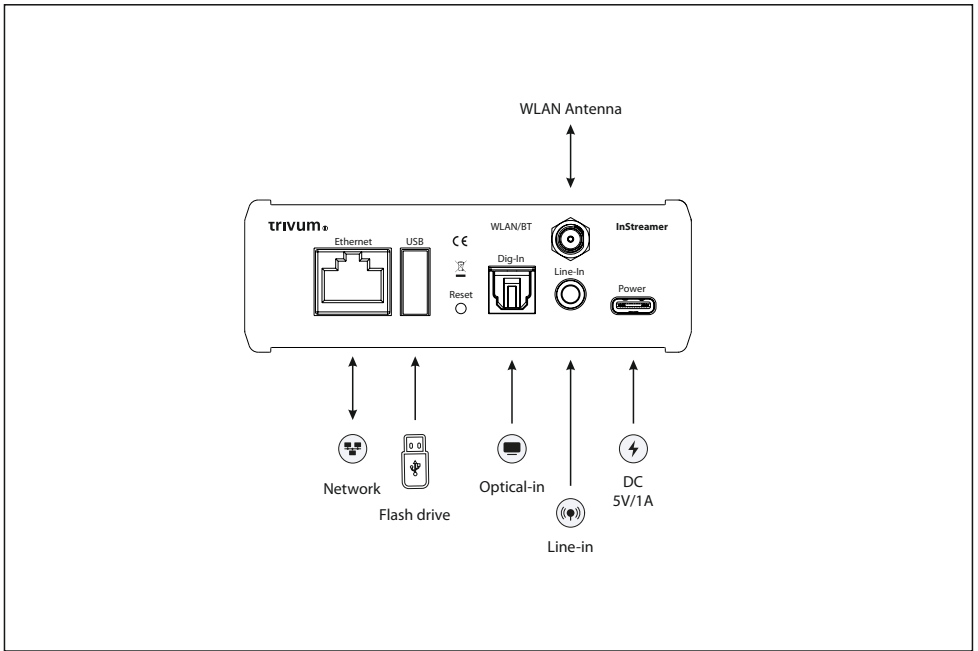
Icon to be used TV >

Level-adjust 0 Affects analogue input only. Reduce to avoid distortion.

Advanced settings when an InStreamers is used in more than one zone
This setting is global. It is used for all used InStreamers

Enable InStreamers Multicast Multicast allows multiple, parallel use of an InStreamers without groups, but may cause high network traffic.

Connections



Required components for installation:

- USB power supply $\geq 1A$
Ethernet cable connected to router or Wifi access point
trivum sound system (e.g. Rp311v2 or SC344m)