

## Further documentation and troubleshooting

To find helpful log files in support cases:

- Open the MusicCenter WebConfig.
- Click *Logs & Warnings*.

Please visit also our website for the latest documentation, videos and information:

<http://www.trivum.com>  
<http://service.trivum.com>

## If support is needed

Please contact your local trivum dealer or write to:

[service@trivum.com](mailto:service@trivum.com)

## Download links:

trivum ServerAdmin Tool (Windows):

<http://service.trivum.com/win-admintool>

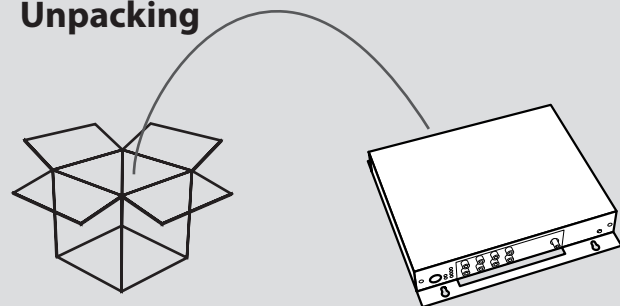
## How to update your trivum v8 to v9?

<http://service.trivum.com/v9-update>

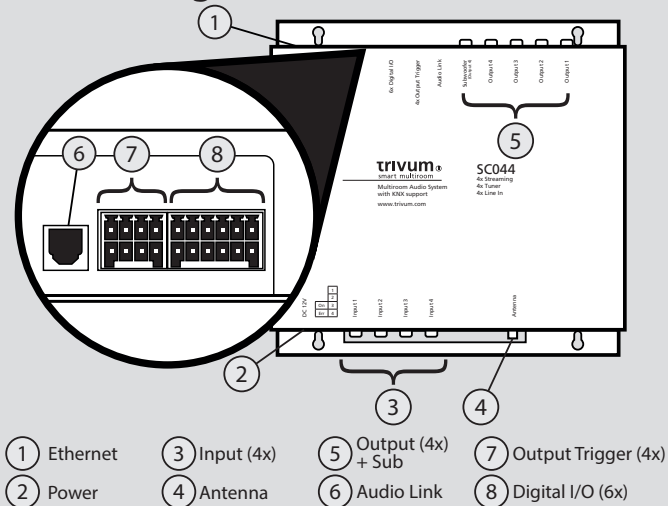
**i Note:** The remote maintenance of all trivum devices is activated by default. For disabling remote maintenance:

- Open the MusicCenter WebConfig
- Click *Basic Setup*.
- Uncheck *Enable trivum remote support*.

## 1. Unpacking



## 2. Mounting

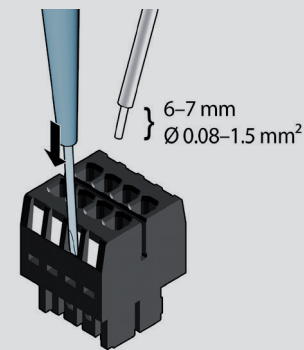


## 3. Configuration

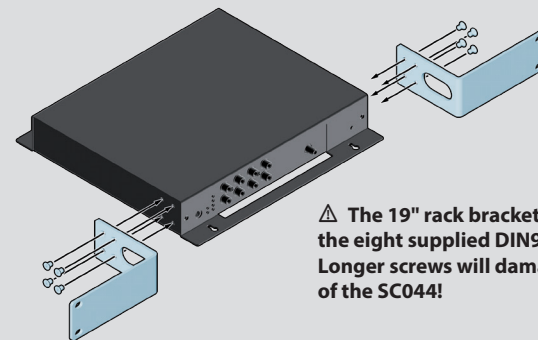
- Open trivum ServerAdmin Tool
- Double-click on the SC044
- Click *Music Library* -> *Setup music library* -> *Add network share*
- Enter the *Network share URL (smb://)*

## 4. Using the Trigger Connector

- Push a screwdriver into the connector, as seen in the image to open the spring contact.
- Insert the trigger cable.
- Pull out the screwdriver to release the spring contact.



## 5. Using the rack mount kit



⚠ The 19" rack brackets must be fixed with the eight supplied DIN965 M4x6 screws. Longer screws will damage the electronics of the SC044!

# trivum®

smart multiroom

*We add music to your home*

## Quick Installation Guide for SC044



Now with:  
**v9**

trivum technologies GmbH

Eierstraße 48

70199 Stuttgart

[info@trivum.de](mailto:info@trivum.de)

[www.trivum.com](http://www.trivum.com)

[www.facebook.com/trivumtechnologies](https://www.facebook.com/trivumtechnologies)

## Quick Installation Guide for SC044

### Required components for installation:

- 4 screws (type depends on the surface or server rack screws)
- ethernet cable
- network with DHCP capable router
- RCA connectors for Line In / Line Out
- power amps
- music archive (network share, NAS)

### Optional components:

- trivum TouchPad for high comfort music selection
- wireless access point (if a mobile device is to be used)
- internet connection (required for software updates, music streaming services and remote support)

## 1. Mounting and connection

**1.1** Mount the SC044 using 4 screws depending on the surface.

**1.2** Using the rackmount kit for mounting within a 19" server rack.

**1.3** Connect cables to Line In / Line Out, ethernet network and power supply.

## 2. Configuration

The trivum SC044 has to be configured via web browser. We recommend you to use the trivum ServerAdmin Tool. The ServerAdmin Tool lists all trivum devices and their

IP addresses in your network.

**2.1** Please download and install the ServerAdmin Tool. <http://service.trivum.com/win-admintool>

**i Note:** If you don't want to use the ServerAdmin Tool, you have to identify the IP address of the SC044, than open your browser and enter: IP address/setup

**2.2** Start the ServerAdmin Tool.

**2.3** Double-click on the device (SC044) to open the MusicCenter WebConfig (main config site).

**i Note:** If you are not sure about the assignment of the listed devices, you can compare the serial number in the list with the serial number on your device.

**2.4** Static IP instead of DHCP? click *Network*.

**2.5** Select *Use static IP address*.

**2.6** Enter your IP settings and *Restart to apply changes*.

## 3. Adding a network share

The trivum SC044 can play sound files which are stored on network shares. If you want to use a shared directory, make sure that it supports the media sharing service Samba service (smb). To add a network share (e.g. NAS):

**3.1** Open the MusicCenter WebConfig.

**3.2** Click: *Music Library -> Setup music library -> Add network share*.

**3.3** Set the network path and user/password if required.

**3.4** Click *Save as new share*.

**3.5** Click *Refresh your music index now*.

## 4. Adding your online streaming service account

**4.1** Open the MusicCenter WebConfig.

**4.2** Click *Add service*.

**4.3** Select your favorite service and enter your user account.

**4.4** Click *Create the streaming service given account*.

**i Note:** trivum supports only paid accounts.

**💡 Tip:** The SC044 is AirPlay ready, so it's easy to stream every kind of music to the specific zone (with Apple devices)

### Backup your configuration

Once you have completed the setup, we recommend you to make a backup of your configuration:

- Open the MusicCenter WebConfig.
- Click *Backup/Restore -> Export/import configuration*.
- Follow the instructions.

For easy operation of your SC044, we recommend our trivum TouchPad.

### How to use a trivum TouchPad?

- Connect your trivum TouchPad as described in the TouchPad Quick Installation Guide
- Wait a few seconds until the TouchPad has booted.
- Make sure your TouchPad is running software v2.35 or above (simply update it with your ServerAdminTool).
- On the starting screen press *Pair TouchPad with Audio System*.
- Press *Select...* and select your preferred trivum MusicCenter from the pop-up menu.

### How to use KNX?

The KNX programming of SC044 is done via the web browser. No need for extra KNX software.

- Open the MusicCenter WebConfig.
- Click KNX and enable *use KNX*.
- Follow the instructions.

You find further informations for KNX on: <http://service.trivum.com/knx>